

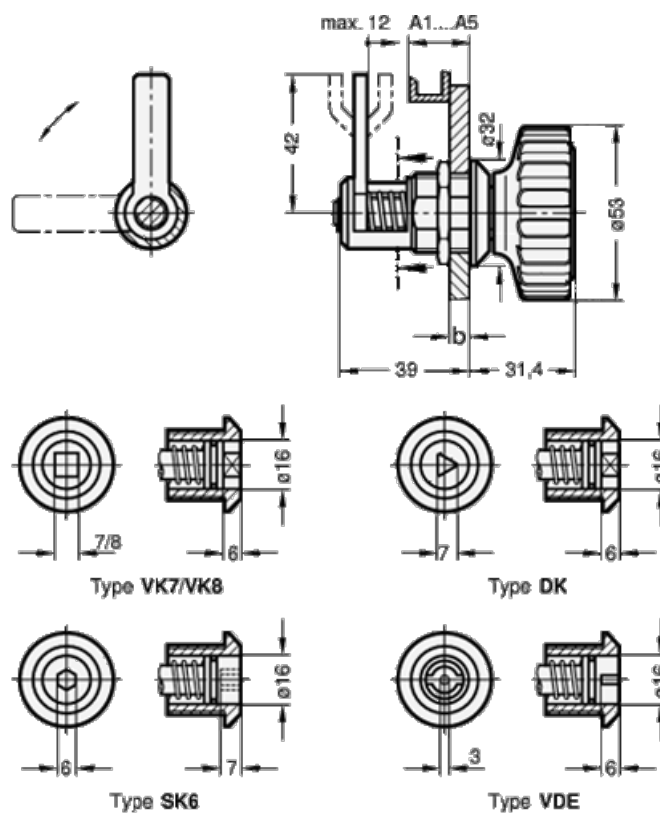
# Data Sheet



Article number: 201161VDEA2

Description: E+G Door lock GN 116.1-VDE-A2  
VDE with double bit

## Measures



b max = 10  
Door + frame thickness = 11-23